

Operating Instructions

TMH 262 / TMU 262
TMH 262 P / TMU 262 P



FOR SALES AND SERVICE PLEASE CALL:

PTB SALES T :: 626.334.0500
service@ptbsales.com
www.ptbsales.com

DATE SERVICED: _____

Turbomolecular Drag Pumps
With Electronic Drive Unit With TC 100

VIEW OUR INVENTORY



| | Page | | Page |
|---|-----------|--|--------------------|
| 1. Safety Instructions | 3 | 5. Monitoring Operations | 14 |
| 1.1. For Your Orientation..... | 3 | 5.1. Operations Display Via LED | 14 |
| 1.2. Pictogram Definitions..... | 3 | 5.2. Turbopump Temperature Management..... | 14 |
| 2. Understanding The Pumps TMH 262/TMU 262 | 4 | 6. What To Do In Case Of Breakdowns ? | 15 |
| 2.1. Main Features..... | 4 | 7. Maintenance | 16 |
| 2.2. Differences Between The Pump Types..... | 4 | 7.1. Replacing The Lubricant Reservoir..... | 16 |
| 3. Installation | 5 | 8. Service | 17 |
| 3.1. Preparations For Installation..... | 5 | 9. Technical Data | 18 |
| 3.2. Installing The Pump, Connecting The High Vacuum Side | 5 | 9.1. Dimensions Diagram | 19 |
| Fitting The Splinter Shield..... | 6 | 10. Spare Parts | 20 |
| 3.3. Connecting The Fore-Vacuum Side | 6 | 11. Accessories | 21 |
| 3.4. Connecting The Cooling Unit..... | 7 | Declaration of Contamination | 22 |
| 3.5. Connecting The Venting Valve..... | 7 | Manufacturer's Declaration | (last page) |
| 3.6. Connecting The Casing Heating Unit..... | 7 | | |
| 3.7. Connecting The Electronic Drive Unit TC 100..... | 8 | | |
| 3.8. Installing The Power Unit | 8 | | |
| 3.9. Installing The Operating And Display Control Unit DCU 001/DCU 150 | 8 | | |
| 3.10. Connecting The Sealing Gas Valve..... | 8 | | |
| 3.11. Remote Control Unit..... | 9 | | |
| 3.12. Connecting The Serial Interface RS 485 | 10 | | |
| Connection | 10 | | |
| Connecting The RS 485 | 10 | | |
| 3.13. Connections Diagram..... | 11 | | |
| 4. Operations | 12 | | |
| 4.1. Before Switching ON..... | 12 | | |
| 4.2. Switching ON | 12 | | |
| 4.3. Operations Via The Remote Control Unit | 12 | | |
| Local/Remote | 12 | | |
| Accessory Inputs | 12 | | |
| Pumping Station | 12 | | |
| Standby/Reset | 12 | | |
| Switch Outputs | 13 | | |
| Accessory Outputs | 13 | | |
| Analog Outputs..... | 13 | | |
| 4.4. Gas Type Dependent Operations | 13 | | |
| 4.5. Switching OFF And Venting | 13 | | |
| 4.6. Shutting Down For Longer Periods..... | 14 | | |
| 4.7. Operations With The DCU 001/DCU 150 | 14 | | |

Please note: Current operating instructions are available via www.pfeiffer-vacuum.de under "Infoservice".

1. Safety Instructions

- ☞ Read and follow all instructions in this manual.
- ☞ Inform yourself regarding:
 - Hazards which can be caused by the pump;
 - Hazards which can be caused by your system.
 - Hazards which can be caused by the media being pumped.
- ☞ Avoid exposing any part of the body to vacuum.
- ☞ Observe the safety and accident prevention regulations.
- ☞ Regularly check that all accident prevention measures are being complied with.
- ☞ Do not operate the turbopump with open high vacuum flange.
- ☞ Do not carry out any unauthorised conversions or alterations to the turbopump with TC 100.
- ☞ When returning the turbopump observe the shipping instructions.
- ☞ Use at least 4 bracket screws to connect the high vacuum flange (ISO-flange).
- ☞ The turbopump must be anchored in accordance with the installation instructions.
- ☞ Do not disconnect the plug between the TC 100 and accessory components during operations.
- ☞ Disconnect the voltage supply for the TC 100 before opening the turbopump.
- ☞ When working on the turbopump, the high vacuum flange should only be opened once the rotor is at rest.
- ☞ When using sealing gas, the pressure in the hose connection should be limited to 2 bar via the overpressure valve.
- ☞ If a heater is in use temperatures of up to 120 °C can be present in the area of the high vacuum flange. Take care to avoid burns !
- ☞ During operations, temperatures of up to 65 °C can arise in the lower part of the turbopump. Take care to avoid burns!
- ☞ Keep leads and cables well away from hot surfaces (> 70 °C).
- ☞ Operate the turbopump with TC 100 only in conjunction with the relevant power unit (accessory).
- ☞ The unit has been accredited protection class IP 30. When the unit is operated in environments which require other protection classes, the necessary measures must be taken. Protection class IP 54 is afforded for the Electronic Drive Unit TC 100 by using a suitable 15 pole D-Sub plug (accessory).
- ☞ The mains connection must be subject to a safe connection to the PE (protection class 1).

1.1. For Your Orientation

Instruction in the text

- ➔ Working instruction: here, you have to do something.

Abbreviations used

- DCU = Operating and display control unit
 - TC = Electronic drive unit, turbopump
 - TCS = Pumping station control unit
 - TMP = Turbomolecular pump
 - TPS = Power Unit
- Modifications reserved.

Symbols used

The following symbols are used throughout in all illustrations.

- ⓘ High vacuum flange
- Ⓥ Fore-vacuum flange
- ⓔ Venting connection
- ❄ Cooling water connection
- ⊕ Air cooling
- ⚡ Electric connection
- Ⓢ Sealing gas connection

Position numbers

The same pump and accessory parts have the same position numbers in all illustrations.

1.2. Pictogram Definitions



Danger of burns from touching hot parts.



Danger of personal injury.



Danger of damage to the pump or to the system.



Danger of injury from rotating parts.



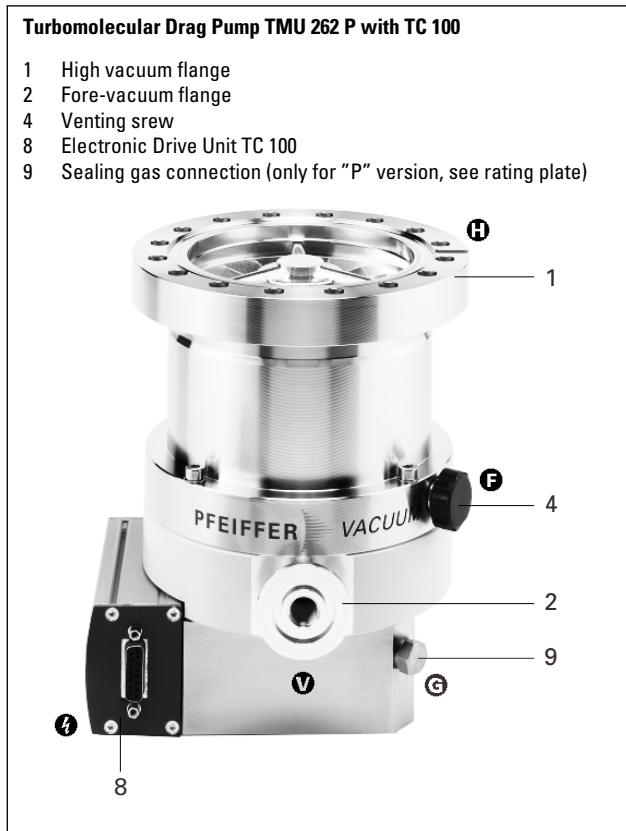
Attention to particularly important information on the product, handling the product or to a particular part of the documentation.

Modifications reserved.

2. Understanding The Pumps TMH 262/TMU 262

2.1. Main Features

Turbopumps TMH 262/TMU 262 with the TC 100 form an unit. Voltage is supplied by the power unit (see "Accessories").



Cooling

Air cooling or water cooling is required ("Accessories").
Integrated protective measures against excess temperatures:
The Electronic Drive Unit TC 100 reduces the rotor rotation speed.

Bearings

High vacuum side: wear free permanent magnetic bearing.
Fore-vacuum side: oil circulatory lubricated ball bearing with ceramic balls.

Proper use

- The Turbomolecular Pumps TMH 262/TMU 262 may only be used for the purpose of generating vacuum.
- The turbopumps may only be used to pump those media against which they are chemically resistant. For other media the operator is required to qualify the pumps for the processes involved.
- If the process produces dust, the maintenance intervals must be specified accordingly and sealing gas must be used (only for version "P").
- If the pump to be operated with more than 50% of the permissible gas load, sealing gas must be used (only for version "P").

- The turbopump must be connected to a backing pump in accordance with Section 3.3.
- Only PFEIFFER power units may be used to operate. The use of other power units requires the express agreement of the manufacturer.
- The pumps with TC 100 may only be operated providing the ambient conditions in compliance with Protection Type IP 30 are observed.

Improper use

The following is regarded, inter alia, as improper:

- The pumping of explosive or corrosive gases.
- Operating the pumps in areas where there is a danger of explosion.
- The pumping of gases and vapours which attack the materials of the pumps.
- The pumping of corrosive gases without sealing gas.
- The pumping of condensating vapours.
- Operations involving impermissibly high levels of gas loads.
- Operations with impermissibly high fore-vacuum pressure.
- Operations with improper gas modes.
- Operations involving too high levels of heat radiation power (see Section 9. "Technical Data").
- Operating the pump in environments which require a protection class superior to IP 30.
- Operations without the use of cooling equipment.
- The use of other power units or accessories which are not named in this manual or which have not been agreed by the manufacturer.

Improper use will cause all claims for liability and guarantees to be forfeited.

2.2. Differences Between The Pump Types

| Feature | TMH 262 | TMU 262 |
|---------------------------------|--|--|
| High vacuum flange | ISO-K | CF-F |
| High vacuum seal final pressure | Viton $1 \cdot 10^{-8}$ mbar (without baking-out) | MetalAttainable $5 \cdot 10^{-10}$ mbar (with baking-out) |

Abbreviations on the rating plate of the pump

Suffix "P": Pumps with the designation TMH/TMU 262 P have been designed for the connection of purge gas (see Section 3.10.).

3. Installation

3.1. Preparations For Installation



Do not carry out any unauthorised conversions or alterations to the turbopump.

- The option to connect two of accessory components is provided on the Connection Box TCS 010 (please see "Accessories") which is secured into the Electronic Drive Unit TC 100.
- With Pumping Station Control Unit TCS 010 it is possible to connect accessory units (please see "Accessories").
- The maximum permissible rotor temperature of the pump is 90 °C. If the vacuum chamber or parts in the vacuum chamber are heated must be fitted if necessary, suitable shielding in the vacuum chamber before the turbopump (constructional suggestions available on request).
- Only remove the blank flange from the high and fore-vacuum side immediately before connection.
- On Turbopumps TMH 262/TMU 262 the lubricant reservoir is already fitted and filled.
- Where magnetic fields of > 5.5 mT are involved suitable shielding must be provided (available on request).
- If the pump is baked out, the heating sleeve and the body of the pump must be insulated to prevent burns from accidental contact.
- In the event of a sudden standstill of the rotor, torques of up to 750 Nm can arise and these must be taken up by the turbopump and frame. Pumps must be anchored as follows:
 - ISO flange with 4 bracket screws, or
 - CF flange with the complete set of M8 screws, or
 - Underside of the pump with 4 screws M8, screws quality 8.8.
- For operating the pump air or water cooling is necessary.

3.2. Installing The Pump, Connecting The High Vacuum Side



The utmost cleanliness must be observed when fitting all high vacuum parts. Unclean components prolong the pumping time.

Using the splinter shield

The use of a splinter shield in the high vacuum flange protects the turbopump against foreign bodies coming from the vacuum chamber but does reduce the volume flow rate of the pump by approximately 15%.

For fitting splinter shields please refer to "Fitting the splinter shield"

The high vacuum side can be flanged directly to the vacuum chamber or via a bellows or a vibration compensator from Pfeiffer (please see "Accessories").

Connecting via a bellows

If the high vacuum side is to be flanged via a bellows, the turbopump must be secured for example via the holes on the underside of the turbopump must be secured for example via the holes on the underside of the pump. The fastening must be able to withstand the torque referred to in Section 3.1.

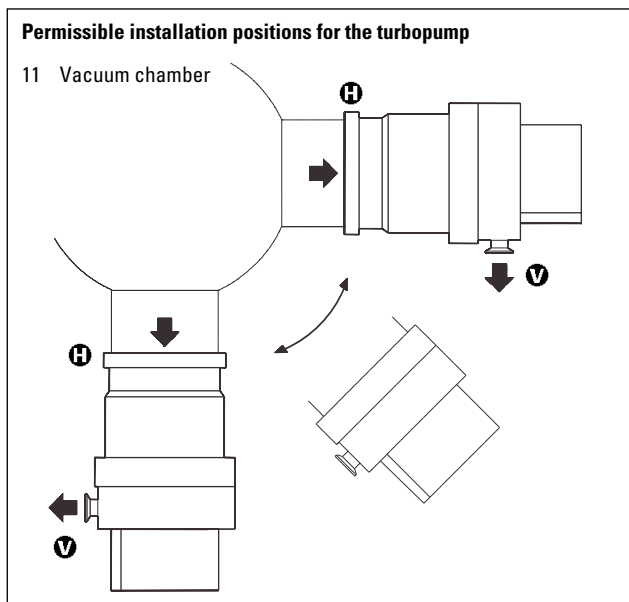
Connecting via a Pfeiffer vibration compensator (Accessory)



The maximum permissible temperature at the vibration compensator is 100 °C.

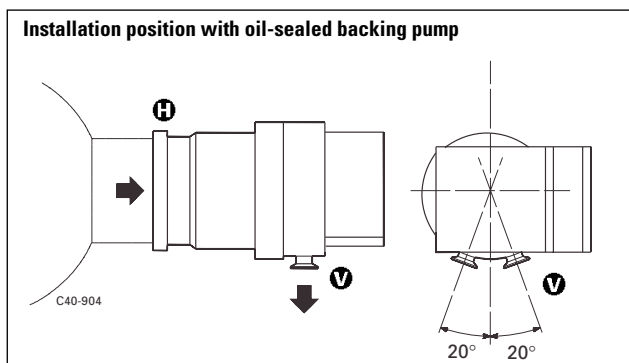
Where a Pfeiffer vibration compensator from Pfeiffer is in use, a freely suspended turbopump can be flanged onto the vacuum chamber. Additional fastening is unnecessary.

Directly flanging the pump



The maximum loading capacity of the high vacuum flange is 500 N (equivalent to 50 kg). Asymmetric loading on the high vacuum flange must be avoided.

With horizontal pump installation and oil-sealed backing pumps (e.g. rotary vane pumps) the fore-vacuum flange of the turbopump must be aligned vertically downwards (maximum deviation $\pm 20^\circ$), otherwise the turbopump could become dirty.

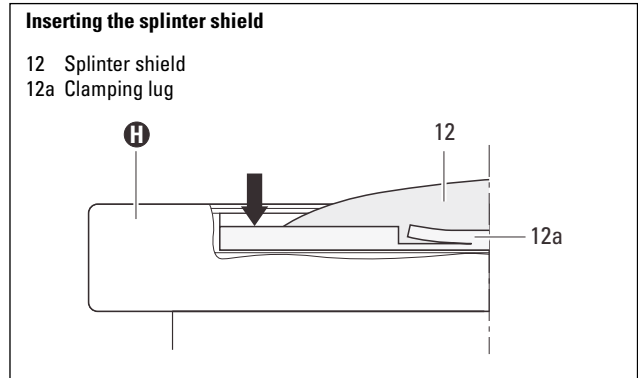


No forces from the piping system must be allowed to act on the pump where turbopumps are anchored. Suspend or support all pipes to the pump.

Fitting The Splinter Shield (Accessory)

Insert the splinter shield in the high vacuum flange in such a way that the corrugation of the strainer points outwards.

- ➔ Bend the clamping lugs 12a slightly outwards so that subsequently the splinter shield 12 is seated firmly in the high vacuum flange (to avoid noise).
- ➔ Insert the splinter shield in the high vacuum flange while pressing the clamping lugs slightly inwards.
- ➔ Press the outer ring of the splinter shield up to the limit stop point in the high vacuum flange.



3.3. Connecting The Fore-Vacuum Side

Backing pump: Vacuum pressure ≤ 5 mbar
 Recommendation: Oil-Free Diaphragm Pump or Rotary Vane Vacuum Pumps from the PFEIFFER range (note installation position, turbopump, see Section 3.2.).

Connecting the backing pump

All connections of the fore-vacuum line: with the usual small flange components or hose screw connections.



Be sure to conduct away the exhaust gases from the backing pump. Do not reduce the free cross section of the fore-vacuum flange with following components.



The exhausted process gases and vapours can represent a health hazard and can also be environmentally damaging. Comply with all gas manufacture's safety instructions.

- ➔ With rigid pipe connections: fit a bellows in the connecting line to reduce vibration.
- ➔ The fore-vacuum pump is controlled via a relay box (accessory) and Connection Box Unit TCS 010 (accessory) or in accordance with the connections diagram (please see Section 3.13.).

Please refer to Operating Instructions PT 800 030 BN for details on the relay box, backing pump and its installation.

Please refer to Operating Instructions PT 800 045 BN for details on the Pumping Control Unit TCS 010.

3.4. Connecting The Cooling Unit

The Turbopumps TMH 262/TMU 262 must be water or air cooled.

Air cooling may only be used where the ambient temperature is $< 35\text{ }^{\circ}\text{C}$.

Use and installation:

- For water cooling please refer to Operating Instructions PM 800 546 BN.
- For air cooling please refer to Operating Instructions PM 800 543 BN.

3.5. Connecting The Venting Valve

The venting valve (accessory) provides automatic venting in the event of a power failure and switching off.

Fitting the venting valve

- ➔ Unscrew the venting screw from the venting connection of the turbopump.
- ➔ Screw in venting valve with seal (USIT ring) on hexagonal SW 14.

Electrical connection

Electrical connection

- ➔ Plug control lead into the connection "Out 2" of the TCS 010 or in accordance with the connections diagram (please see Section 3.13.).

For Details please refer to Operating Instructions for the Connection Box TCS 010, PT 800 045 BN.

The venting mode of the venting valve is selected via the DCU or Serial Interface RS 485.



The maximum pressure at the venting valve is 1.5 bar absolute.

Please refer to Operating Instructions PM 800 507 BN for details on Venting Valve TVV 005.

3.6. Connecting The Casing Heating Unit

In order to accelerate attainment of final pressures, turbopumps and vacuum chambers can be heated.

Baking out is only practical on pumps with stainless steel casings (TMU pumps). On account of their aluminium casings, the temperatures attainable on TMH pumps are not high enough.

Heating duration is dependent on the level of contamination and the required final pressure but should be at least four hours.



Where casing heating is involved the turbopump must be water cooled.



High temperatures are generated when turbopumps are heated.

There is a danger of injury from coming into contact with hot parts even after the casing heating has been switched off.

Heating sleeve and the pump casing should be thermally insulated during the installation. During the heating phase be careful not to come into contact with the heating sleeve or the pump casing.

Casing heating control is effected via the TCS 010 (please refer to Operating Instructions PT 800 045 BN for the TCS 010) or in accordance with the connections diagram (please see Section 3.13.).

For details regarding the casing heating and its installation please refer to Operating Instructions PM 800 542 BN.

3.7. Connecting The Electronic Drive Unit TC 100



Turbopump and Electronic Drive Unit TC 100 are fixed together and form a single unit. Connecting cable 8a to power unit 105 has to be ordered separately (please see "Accessories").

- ➔ Insert plug X3 on connecting cable 8a into socket X3 on the TC 100 and secure with screw 8b.
- ➔ Connect plug X2 on connecting cable 8a with Power Unit TPS 150 (accessory); please refer to Section 3.13. Connection Diagram.



Once operating voltage has been connected the unit carries out a self-test to check the supply voltage level which, for turbomolecular pumps TMH/TMU 262 is 24 VDC±5% in compliance.

(Connecting with DCU 001/DCU 150 please refer to Operating Instructions PM 800 477 BN.)

3.8. Installing The Power Unit



Only PFEIFFER power units (accessory) may be used for the purpose of supplying voltage. The agreement of the manufacturer is required if other power parts are to be used.

For further details regarding Power Unit TPS 150 please refer to Operating Instructions PM 800 521 BN.

3.9. Installing The Operating And Display Control Unit DCU 001/150

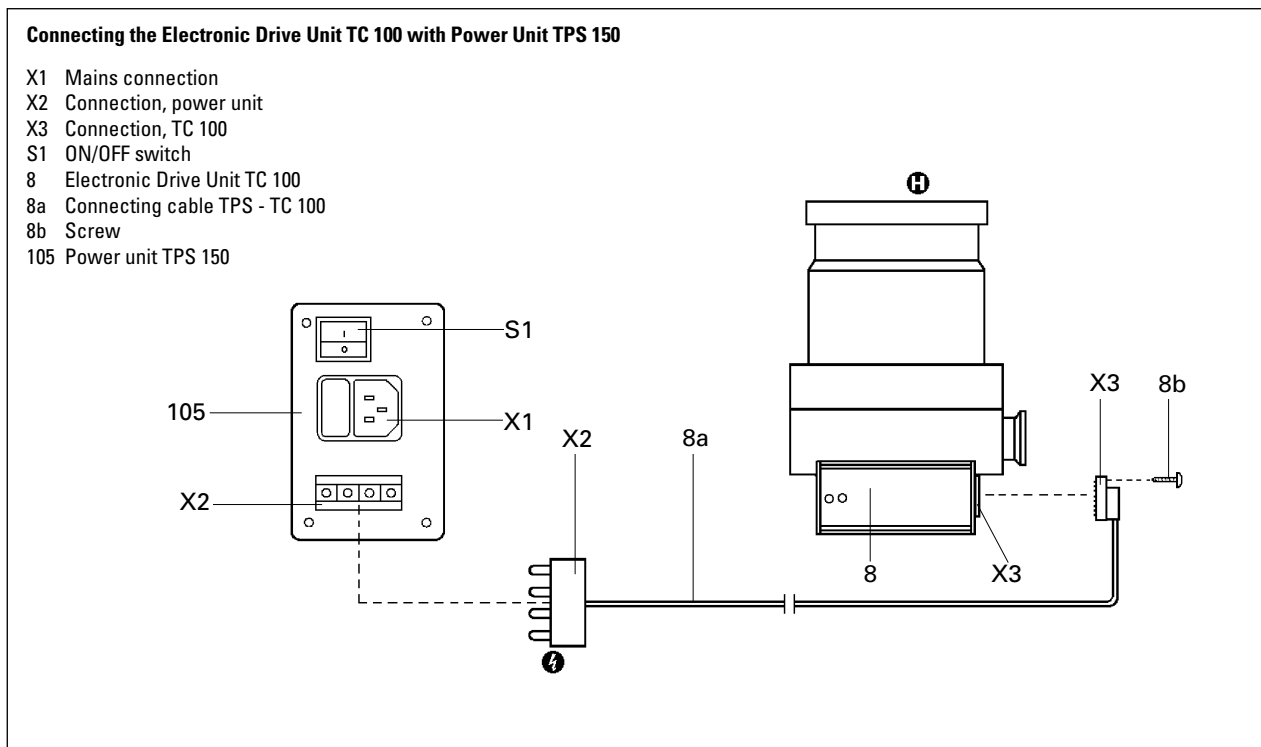
The connection of an Operating And Display Control Unit DCU 001/DCU 150 is available with a TCS 010 (accessory) or a connecting cable TPS - TC 100/DCU (accessory); please refer to the relevant operating instructions and Section 3.13. Connection Diagram.

3.10. Connecting The Sealing Gas Valve

To protect the turbopump, especially where corrosive and dusty processes are involved, it is necessary to use sealing gas. Connection is effected via the sealing gas valve (please refer to "Accessories").

For the sealing gas connection please refer to Section 9.1. Dimensions.

For further details regarding the installation of the sealing gas valve and setting the sealing gas level please refer to Operating Instructions PM 800 229 BN.



3.11. Remote Control Unit

Remote control options for various functions are available via connection plug X3 (Pin 2 – Pin 6) on the TC 100.

Shielded cable must be used. The shielding on the plug side of the Electronic Drive Unit TC 100 should be connected to the metal cap on the plug.

Inputs 2-6 are activated by supplying +24 VDC* to Pin 7 (active high) (please refer to Section 3.13. Connections Diagram).

Pin arrangement and functions of the 15 pole plug X3 (please refer to the following table)

| Pin Arrangement And Functions Of Plug X3 | | | |
|--|----------------------------------|---|--|
| Pin nr. | Function | | |
| 1 | Supply voltage | +24 VDC $\pm 5\%$ ($I_{dauer} = 4,2 \text{ A}$; $I_{max} = 4,6 \text{ A}$) | |
| | Inputs: | Open (low) | Closed (high) |
| 2 | Input remote/local ¹⁾ | Remote: priority of Serial Interface RS 485 | Local: priority of inputs (Pin 3-6) |
| 3 | Input accessory 1 | not vent or heating OFF | vent or heating ON |
| 4 | Input accessory 2 | | |
| 5 | Input pumping station | Pumping station OFF | Pumping station ON: turbopump, backing pump and fan are switched ON |
| 6 | Input standby/reset | Standby OFF | Standby ON: Pump is accelerated to 66% of the nominal rotation speed. Reset: By supplying a pulse ($T < 2 \text{ s}$) with an amplitude of 24 V a malfunction acknowledgement can be processed. |
| 7 | + 24 VDC* | | |
| | Outputs: | low (0 V) | high (24 V) |
| 8 | Switch output 1 | Rotation speed switchpoint not attained | Rotation speed switchpoint attained: Output can be loaded with 24V/50mA |
| 9 | Switch output 2 | Collective error message | trouble free operating: Output can be loaded with 24V/50mA |
| 10 | Accessory output 1 | Accessory OFF | Accessory ON Works setting: fan |
| 11 | Accessory output 2 | Accessory OFF | Accessory ON Works setting: automatic venting |
| 12 | Analog output | 0 - 10 VDC = 0 - 100% * f_{end} (optional current/power) | |
| 13 | Serial Interface RS 485 | D + (DO/RI) | |
| 14 | Serial Interface RS 485 | D - (DO/RI) | |
| 15 | Mass (ground) | | |

3.12. Connecting Serial Interface RS 485

The connection of the Operating And Control Unit DCU 001/DCU 100 is possible via the TCS 010 (accessory) or cable TPS - TC 100/DCU (accessory), please refer to Operating Instructions for the TCS 010, PT 800 045 BN and the Operating Instructions for the DCU 001/100, PN 800 477 BN.

| Pin | Arrangement |
|-----|---|
| 1 | not connected |
| 2 | + 24 V output (loadable with ≤ 210 mA) |
| 3 | not connected |
| 4 | not connected |
| 5 | RS 485: D+ (DO / RI) |
| 6 | Gnd |
| 7 | RS 485: D- (DO / RI) |
| 8 | not connected |

RS 485



1 ... 8

(View from the TC 100 plug side)

An external computer can be connected directly to Serial Interface RS 485 via connection X3 (Pin 13, Pin 14).

Connection

| Designation | Value |
|------------------------|-----------|
| Pin 13: D+ | |
| Pin 14: D- | |
| Serial interface type: | RS 485 |
| Baud rate: | 9600 Baud |
| Data file word length: | 8 bit |
| Parity: | no parity |
| Start bits: | 1 |
| Stop bits: | 1..2 |



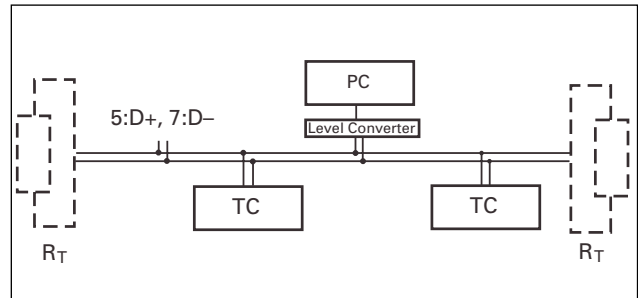
It is possible to connect an RS 232 (e.g. PC) via a level converter (please see "Accessories").

Connecting The RS 485

Connection to a fixed bus system

- ➔ Connect all units with D+ (Pin 13/X3) and D- (Pin 14/X3) on the bus.
- ➔ The bus must be closed at both ends.

The connections must be made in accordance with the Serial Interface RS 485 specifications.



All units connected to the bus must have differing serial interface addresses (parameter 797).

The group address of the Electronic Drive Unit TC 100 is 950.



Only safety low voltage may be connected to the Serial Interface RS 485.

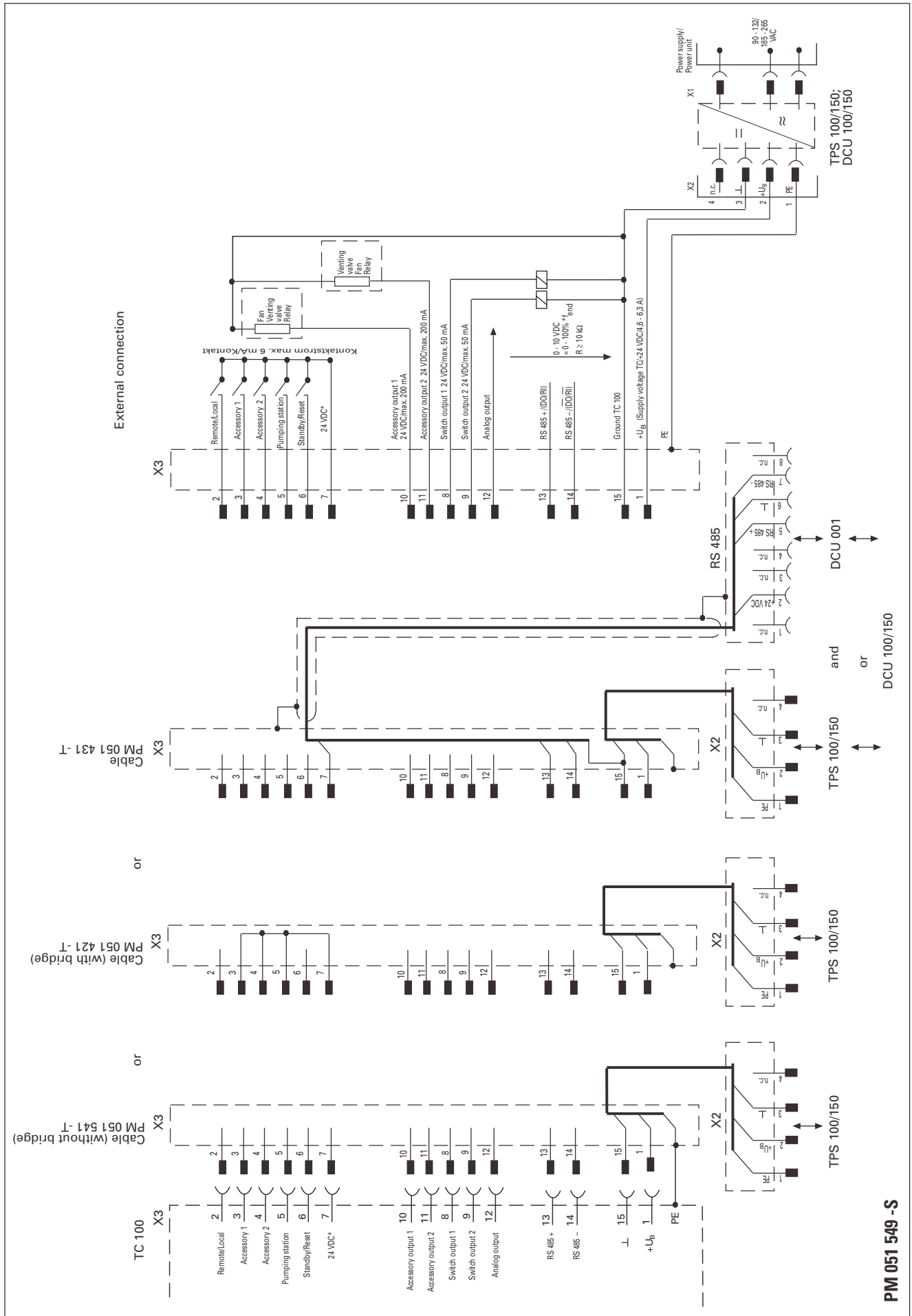
All switched on remote control functions have priority over the serial interface functions.



For further details regarding the operation of the Serial Interface RS 485 and its electrical data please refer to separate Operating Instructions PM 800 488 BN.

Profibus DP Gateway TIC 250 is available (accessory) for connecting an Electronic Drive Unit TC 600 to a Profibus DP. Please refer to the respective Operating Instructions PM 800 599 BN for detailed information on the operation of the TIC 250.

3.13. Connection Diagram



PM 051 549-S

4. Operations

4.1. Before Switching ON

Sections 4.1. to 4.3. relate only to pump operations in the condition on delivery without Operating Unit DCU.



Turbopump rotors turn at great speed. When the high vacuum flange is open there is a danger of personal injury and of damage to the pump resulting from the falling in of objects. Therefore, never operate the pump with an open high vacuum flange.

- ➔ With water cooling: open cooling water supply and check flow.

Please note:

The following works-settings are programmed:

- Start-up time: 8 min
- Rotation speed switchpoint 80%
- Automatic venting 50%

For further works settings please refer to the parameter overview in the operating instructions for the "Pumping Operations With the DCU", PM 800 547 BN.

These settings can only be altered via Serial Interface RS 485 (DCU or PC) (please refer to the respective operating instructions).

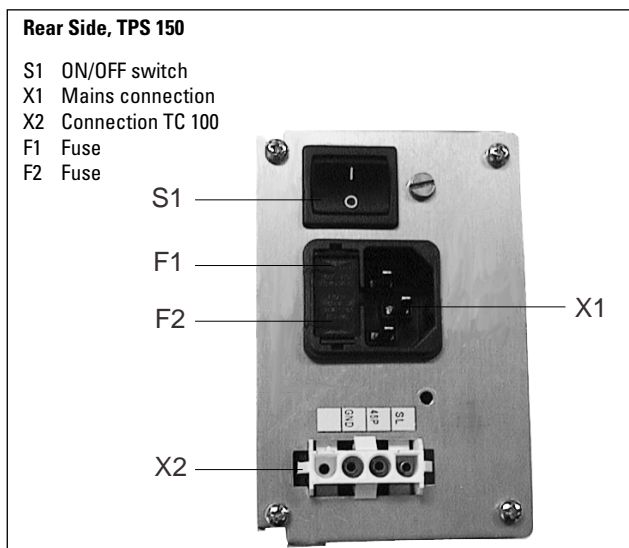


Take care when pumping hazardous gases. Take note of all safety recommendations of the gas manufacturer.

4.2. Switching ON

- ➔ Switch on the power unit with S1.
- After successful completion of the self-test on the TC 100 (duration approximately 10 seconds), the turbopump starts operating.

The turbopump is operated via remote control please refer to Section 4.3..



4.3. Operations Via The Remote Control Unit

(Please refer to the table in Section 3.11. and connection diagram in Section 3.13.)

Remote control options are possible via inputs Pin 2 – Pin 6/X3 on the TC 100.

Shielded cable must be used. The shielding on the plug side of the Electronic Drive Unit TC 100 should be connected to the metal cap on the plug.

Inputs 2 - 6 are activated when they are connected to 24 VDC* on Pin 7/X3 (active high).

Local/Remote

(Pin 2/X3)

This input is used to determine whether the control should be effected via remote control inputs or Serial Interface RS 485 (**only works in conjunction with parameter 028, please refer to Operating Instructions for Pumping Operations with the DCU, PM 800 547 BN**).

Accessory Inputs

(Pin 3/X3 and Pin 4/X3)

The components backing pump and air cooling (connectable to the accessory outputs) are switched automatically. The remote control inputs Pin 3 and Pin 4 are then ineffective. If the outputs are programmed to venting valve or the heating there is the option with the respective inputs venting release after the unit has been switched off and heating ON/OFF when the rotation speed switchpoint is exceeded.

- Works setting:
- Out1 (Pin 3) = air cooling
 - Out2 (Pin 4) = venting valve

The accessory inputs and outputs can be assigned several functions via a DCU or the Serial Interface RS 485.

Pumping Station

(Pin 5/X3)

Connected pumping station components are started (backing pump, air cooling) and the turbopump is set in motion after successful completion of the self-test (duration approximately 10 seconds).

Standby/Reset

(Pin 6/X3)

With the use of "standby" the turbopump can be operated optionally at 66% of the nominal rotation speed (standby ON) or with the nominal rotation speed (standby OFF). By supplying a pulse (T <2s) with an amplitude of 24 V a malfunction acknowledgement can be processed.

Switch Outputs

(Pin 8/X3 And Pin 9/X3)

The switch outputs 1 and 2 can be loaded with maximum 24V/50 mA per output. The following functions are assigned to the switch outputs:

Switch output 1: Active high after attainment of the rotation speed switchpoint. The switchpoint for the turbopump is set at 80% of the nominal rotation speed. It can be used, for example, for a signal "Pumpe betriebsbereit" ("pump ready to operate").

Switch output 2: Active low on collective error signal.

The connection of a relay is made between Pin 15 (mass) and the respective switch output Pin 8 or Pin 9 (please refer to Section 3.13. Connections Diagram).

Accessory Outputs

(10/X3 and Pin 11/X3)

The accessory outputs can be loaded with a maximum of 24 V/200 mA.

The works setting on the accessory outputs are:

Accessory output 1:

A connected air cooling system is started.

Accessory output 2:

A connected venting valve is started if venting release has been transmitted via accessory input 2.

Other components can be connected with the respective selection via the DCU or the RS 485.

Analog Output

(Pin 12/X3)

A rotation speed proportional voltage (0 - 10 VDC correspond to 0 - 100%* f_{end}) can be tapped via the analog output (load ≥ 10 k Ω).

Additional functions (power, current) can be assigned to the analog output via a DCU or Serial Interface RS 485.

4.4. Gas Type Dependent Operations

Where high level gas loads and rotation speeds are involved, the resulting friction subjects the rotor to the effect of great heat. To avoid over-heating, a power rotation speed characteristic line is implemented in the TC 600; this ensures that where maximum gas loads are involved, the pump will operate at any rotation speed without the danger of damage arising.

The maximum power is dependent on the type of gas. Two characteristic lines are available for any type of gas in order to fully exploit the power potential of the pump:

- "Gas-Mode 0" for gases with molecular mass ≥ 40 as, for example, Argon;
- "Gas-Mode 1" for all lighter gases.

- ➔ Set the applicable gas mode on the TC 600 via the DCU (please refer to Operating Instructions "Pumping operations with The DCU" PM 800 547 BN).

Works setting: Gas mode 0



Pumping gases with molecular mass ≥ 40 with the incorrect gas mode can cause damage to the pump.

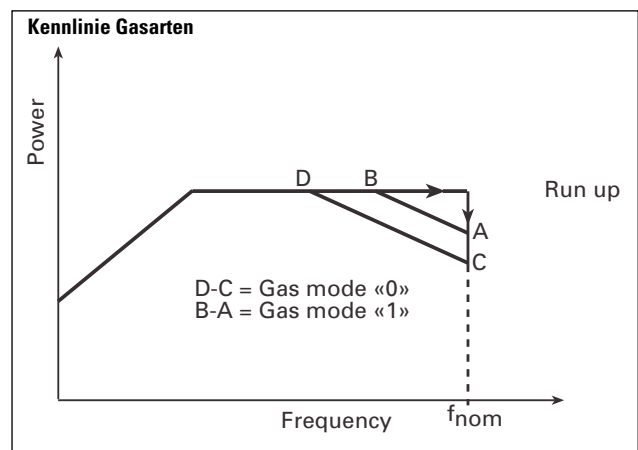
For the vertex of the power characteristic line please refer to Section 9. Technical Data.

Maximum power is applied when the pump starts in order to limit the time required. Once the set rotation speed is attained, switching to the selected power characteristic line is automatic.

If the gas dependent maximum power is exceeded, the rotation speed is reduced until equilibrium between the permissible power and gas friction is attained. The power limitation serves to protect the pump against thermal overloading. In order to avoid rotation speed fluctuations it is recommended to set, in rotation speed setting mode, the equilibrium frequency or a somewhat lower frequency.



Owing to the limited drive power on the TC 100, there is no difference between the two "gas modes" settings on these pumps.



4.5. Switching OFF And Venting

Before coming to rest after switching off, the turbopump must be vented in order to prevent contamination.

- ➔ Switch off the power unit with switch S1.
- ➔ Open the venting screw (on delivery, screwed in) on the venting connection slowly about one turn.
- ➔ Where water cooling is involved shut off the supply of water.

Switching off the turbopump via remote control, please refer to Section 4.3..

4.5. Shutting Down For Longer Periods



If aggressive or hazardous gases are pumped there is a danger of personal injury resulting from coming into contact with process gases. Before removing a turbopump from the system, first:

- Vent the turbopump with a neutral gas or dry air.
- Ensure that there is no residual process gas in the system nor in the feeder lines.

If the turbopump is to be shut down for more than a year:

- ➔ Remove turbopump from the system.
- ➔ Change the lubricant reservoir (see Section 7.1.).



Lubricant TL 011 should not be used when there have been no operations for 2 years.

- ➔ Close the high vacuum flange and evacuate the turbopump via the fore-vacuum flange.
- ➔ Vent turbopump via the venting connection with nitrogen or dry air.

- ➔ Close fore-vacuum and venting connection by blank flanging.
- ➔ Place the pump vertically on its rubber feet.
- ➔ In rooms with moist or aggressive atmospheres, the turbopump must be air-sealed in a plastic bag together with a bag of dessicant, e.g. silicagel.



If the pump has been shut down for **3 years**, the bearing must be changed (please contact PFEIFFER Service).

4.7. Operations With The DCU 001/DCU 150

Operations with the DCU 001 or DCU 150 should be carried out in accordance with the relevant Operating Instructions PM 800 477 BN (DCU description) and PM 800 547 BN (operating the pump with the DCU).

5. Monitoring Operations

5.1. Operations Display Via LED

Certain operations modes of the turbopump and the TC 100 can be ascertained via the two integrated LEDs located on the front panel of the TC 100.

The following operations modes are displayed:

| LED | | Cause |
|---------------|------------|---|
| I | ⚡ | |
| Glows green | | <ul style="list-style-type: none"> – power unit OK – Function "pumping station ON" carried out |
| Flashes green | | <ul style="list-style-type: none"> – power unit OK – Pumping station OFF |
| Blinks green | | <ul style="list-style-type: none"> – Mains power supply failure |
| | Glows red | <ul style="list-style-type: none"> – Collective malfunction (for example, run-up time error, over-temperature, turbopump or TC 100) – Switching output 2 active (low) |
| | Blinks red | <ul style="list-style-type: none"> – Warning (e.g. mains power supply failure) |



Differentiated malfunction and warning signals are only possible with the use of the DCU.

5.2. Turbopump Temperature Management

Where impermissible motor temperatures are involved or the temperature of the TC 100 casing is too high, the motor current is reduced. This can lead to dipping below the set rotation speed switchpoint and results in the turbomolecular pump being switched off.

LED on the TC 100 glows red: Collective malfunction.

6. What To Do In Case Of Breakdowns?

| Problem | Possible Causes | Remedy |
|--|---|--|
| Pump doesn't start; None of the integrated LEDs glow on the TC 100 | <ul style="list-style-type: none"> • Power supply interrupted • Incorrect operations voltage supplied • Pins 3,4,5 and 7 on the plug X3 not connected • No supply of operations voltage • Defect TC 100 • Reduction in the voltage in the cable | <ul style="list-style-type: none"> • Check fuse in the power unit • Check plug contacts on the mains power unit • Check power unit feeder line • Check voltage on the power unit (24 V DC) at connection X2 • Supply correct operations voltage • Connect pins 3,4,5 and 7 on the plug X3 • Check plug contacts on the power unit • Inform PFEIFFER Service of need for repair • Use suitable cable |
| Pump doesn't attain nominal rotation speed within the set run-up time Pump cuts out during operations | <ul style="list-style-type: none"> • Fore-vacuum pressure too high • Leak or too much gas • Rotor sluggish caused by defective bearing • TC run-up time too short • Thermal overloading caused by <ul style="list-style-type: none"> – Water flow insufficient – Insufficient air supply – Fore-vacuum pressure too high – Ambient temperature too high | <ul style="list-style-type: none"> • Check backing pump function • Check seals • Seek leak and repair • Reduce supply of process gas • Check bearing (noises?): Inform PFEIFFER Service • Set longer start-up time with the DCU or PC • Ensure free flow • Ensure adequate air supply • Reduce fore-vacuum pressure • Reduce ambient temperature |
| Pump doesn't attain final pressure | <ul style="list-style-type: none"> • Pump dirty • Leak in vacuum chamber, lines or pump | <ul style="list-style-type: none"> • Bake out pump • If seriously contaminated: Request PFEIFFER Service to clean • Seek leak starting with vacuum chamber • Repair leak |
| Unusual operating noises | <ul style="list-style-type: none"> • Bearing damaged • Rotor damaged • Splinter shield (if fitted) not seated firmly | <ul style="list-style-type: none"> • Inform PFEIFFER Service of need for repair • Inform PFEIFFER Service of need for repair • Check seat of splinter shield (see Section 3.2.) |
| Red LED on the TC 100 glows | <ul style="list-style-type: none"> • Collective malfunction | <ul style="list-style-type: none"> • Reset via mains OFF/ON when the TMP is at standstill or remote pin 6 • Different malfunction display with the DCU possible |
| Red LED on the TC 100 flashes | <ul style="list-style-type: none"> • Warning through: <ul style="list-style-type: none"> – Mains power failure | <ul style="list-style-type: none"> • Different warning message with the DCU possible • Check power unit voltage • Check power unit mains connection |

7. Maintenance



No liability for personal injury nor material damage will be accepted for damages and operational interruptions which have been caused by improper maintenance; in addition, all guarantees become invalid.

- You can change the lubricant reservoir yourself (please see Section 7.1.).
- Your pump can be cleaned on the spot if it is not very dirty. Your local PFEIFFER Service can advise you regarding cleaning procedures and any other maintenance and service work.



Apply no mechanical stress to the TC 100.

7.1. Replacing The Lubricant Reservoir

The lubricant reservoir should be replaced at least once a year.

Where extreme operating conditions or unclean processes are involved, the replacement interval should be checked with your PFEIFFER Service Center.

- ➔ Switch off the turbopump, vent to atmospheric pressure (see Section 4.5.) and allow to cool as necessary.
- ➔ If necessary, remove the turbopump from the system.
- ➔ Unscrew locking cover 90 on the underside of the pump with a big screwdriver; take care with the O-ring 91.
- ➔ Lever out the lubricant reservoir with the help of two screwdrivers.

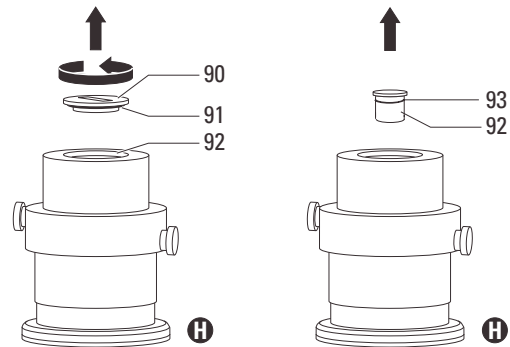


Lubricants can contain toxic substances from the medium pumped. Lubricant must be disposed of in accordance with the respective regulations.

Safety instructions data sheet on request.

Remove locking cover and extract lubricant reservoir

- 90 Locking cover
- 91 O-ring
- 92 Lubricant reservoir
- 93 O-ring



- ➔ Clean off any dirt on the pump and locking cover with a clean, fluff-free cloth.
- ➔ Insert new lubricant reservoir 92 which is already filled with Lubricant TL 011 up to the O-ring 93 in the pump.
- ➔ Screw in locking cover 90 with O-ring 91. The lubricant reservoir is brought into the correct axial position with the locking cover.

8. Service

Do make use of our service facilities

In the event that repairs are necessary a number of options are available to you to ensure any system down time is kept to a minimum:

- Have the pump repaired on the spot by our PFEIFFER Service Engineers;
- Return the pump to the manufacturer for repairs;
- Replace the pump.

Local PFEIFFER representatives can provide full details.



Please take into account that where PFEIFFER Service replacement service is involved the standard operating parameters are always pre-set. If your application requires different parameters, please modify accordingly.



The turbopump and the Electronic Drive Unit TC 100 form a single unit and must therefore be returned complete for repair purposes. Before returning the unit it should be ensured that the power unit is not the cause of the malfunction (please checking the power unit).

Before returning:

- ➔ Please attach a clearly visible notice "Free of harmful substances" (both on the unit and also on the delivery note and any accompanying letters).

"Harmful substances" are substances and preparations as defined in the current, local, dangerous substances regulations; in the U.S.A. as

"materials in accordance with the Code of Federal Regulations (CFR) 49 Part 173.240 Definition and Preparation". We will carry out the decontamination and invoice this work to you if you have not attached this note. This also applies where the operator does not have the facilities to carry out the decontamination work. Units which are contaminated microbiologically, explosively or radioactively cannot be accepted as a matter of principle.

Fill out the declaration of contamination

- ➔ In every case the "Declaration of Contamination" must be completed diligently and truthfully.
- ➔ A copy of the completed declaration must accompany the unit; any additional copies must be sent to your local PFEIFFER Service Center.

Please get in touch with your local PFEIFFER representatives if there are any questions regarding contamination.



Decontaminate units before returning or possible disposal. Do not return any units which are microbiologically, explosively or radioactively contaminated.

Returning contaminated units

If contaminated have to be returned for maintenance/repair, the following instructions concerning shipping must be followed:

- ➔ Neutralise the pump by flushing with nitrogen or dry air.
- ➔ Seal all openings to the air.
- ➔ Seal pump or unit in suitable protective foil.
- ➔ Ship units only in appropriate transport containers.



Repair orders are carried out according to our general conditions of sale and supply. If repairs are necessary, please send the pump to your nearest PFEIFFER Service Center.

Contact addresses and telephone hotline

Contact addresses and telephone numbers can be found on the back cover of these operating instructions.

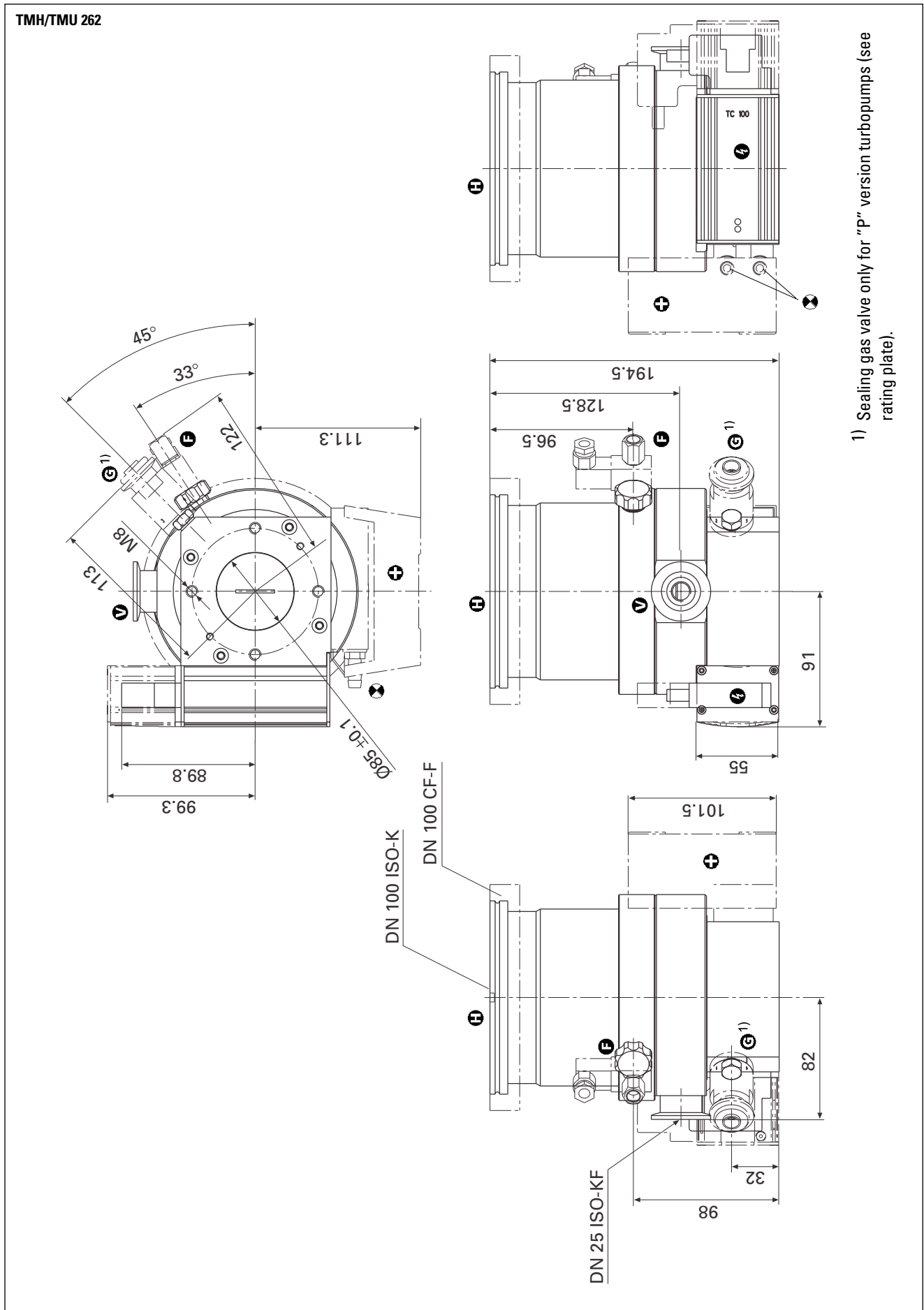
9. Technical Data

| Feature | Unit | TMH 262 | TMU 262 | TMTMH 262 P | TMU 262 P |
|---|----------|-------------------------|-------------|-------------------------|-------------|
| Connection nominal diameter | | | | | |
| Inlet | | DN 100 ISO-K | DN 100 CF-F | DN 100 ISO-K | DN 100 CF-F |
| Outlet | | DN 25 ISO-KF/G 1/4" | | DN 25 ISO-KF/G | |
| Venting connection | | G 1/8" | | G 1/8" | |
| Nominal rotation speed | 1/min | 60 000 | | 60 000 | |
| Standby rotation speed | 1/min | 40 000 | | 40 000 | |
| Start-up time | min | 3.5 | | 3.5 | |
| Noise level | dB (A) | < 50 | | < 50 | |
| Final pressure, backing pump | mbar | < 5 | | < 5 | |
| Maximum permissible rotor temperature | °C | 90 | | 90 | |
| Permissible heat radiation power | W | 8 | | 8 | |
| Volume flow rate for | | | | | |
| Nitrogen N ₂ | l/s | 210 | | 210 | |
| Helium He | l/s | 220 | | 220 | |
| Hydrogen H ₂ | l/s | 190 | | 190 | |
| Compression ratio for | | | | | |
| N ₂ | | > 1 · 10 ⁹ | | > 1 · 10 ⁹ | |
| He | | 3 · 10 ⁵ | | 3 · 10 ⁵ | |
| H ₂ | | 1.3 · 10 ⁴ | | 1.3 · 10 ⁴ | |
| Maximum fore-vacuum pressure for | | | | | |
| N ₂ | mbar | 10 | | 8.5 | |
| He | mbar | 8 | | 8 | |
| H ₂ | mbar | 4 | | 4 | |
| Maximum gas throughput ¹⁾ | | | | | |
| With water cooling N ₂ | mbar l/s | 4.7 | | 3.2 | |
| He | mbar l/s | 7.2 | | 5.1 | |
| H ₂ | mbar l/s | 35.5 | | 18.2 | |
| Maximum gas throughput at intake pressure of 0.1 mbar ³⁾ | | | | | |
| N ₂ | mbar l/s | 7 | | 6 | |
| He | mbar l/s | 6 | | 5 | |
| H ₂ | mbar l/s | 3.5 | | 3 | |
| Vertex power characteristics line ⁴⁾ | | | | | |
| A | W / Hz | 120/1000 | | 120/1000 | |
| B | W / Hz | 120/1000 | | 120/1000 | |
| C | W / Hz | 120/1000 | | 120/1000 | |
| D | W / Hz | 120/1000 | | 120/1000 | |
| Final pressure ⁵⁾ | | | | | |
| With rotary vane pumps | mbar | < 5 · 10 ⁻¹⁰ | | < 5 · 10 ⁻¹⁰ | |
| With diaphragm pumps | mbar | < 1 · 10 ⁻⁸ | | < 1 · 10 ⁻⁸ | |
| Lubricant | | TL 011 | | TL 011 | |
| Maximum cooling water consumption with water at 15 °C ⁶⁾ | l/h | 100 | | 100 | |
| Cooling water temperature | °C | 5 - 25 | | 5 - 25 | |
| Permissible ambient temperature with air cooling | °C | 0 - 35 | | 0 - 35 | |
| Heating power consumption | W | 60 | | 60 | |
| Weight | kg | 4.8 | 6.8 | 4.8 | 6.8 |
| Permissible magnetic field | mT | 5.5 | | 5.5 | |
| Operating voltage | VDC | 24 ± 5% | | 24 ± 5% | |
| Duration ⁶⁾ - / max. current consumption | A | 5.4 / 6.3 | | 5.4 / 6.3 | |
| Duration ⁶⁾ - / max. power | W | 130 / 150 | | 130 / 150 | |
| Protection class ⁷⁾ | | IP 30 | | IP 30 | |
| Relative humidity | % | 5-85 non-condensing | | 5-85 non-condensing | |

- 1) Measured with a rotary vane pump 10 m³/h; higher throughputs with reduced rotation speed.
- 2) Rotation speed of pump may drop below the nominal rotation speed.
- 3) For gas type characteristic lines please refer to section 4.4.

- 4) In accordance with German Industrial Standard 28428 the 48 hours after baking out.
- 5) At maximum gas throughput.
- 6) Protection class IP 54 is afforded for the Electronic Drive Unit TC 100 with a 15 pole D-Sub plug (accessory).

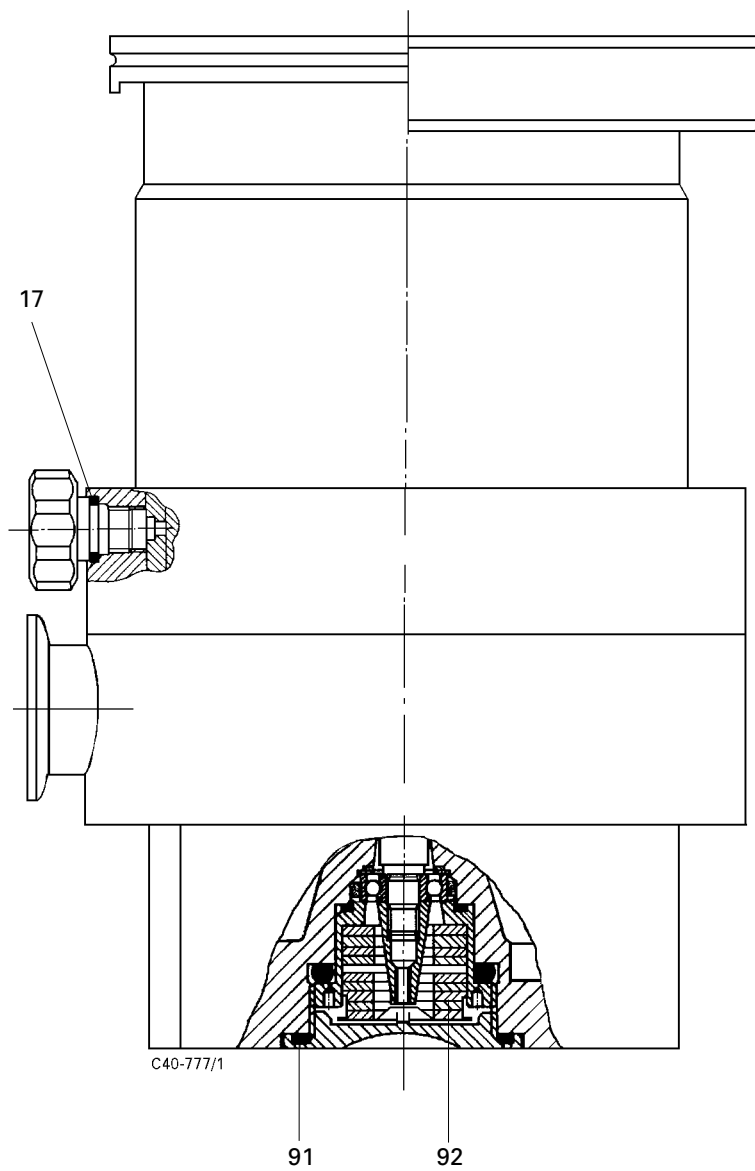
9.1. Dimensions Diagram



10. Spare Parts

| Pos. | Description | Pieces | Size | Number | Comments | Ordering Quantity |
|------|--------------------------------|--------|---------|---------------|----------|-------------------|
| | Spare Parts TMH/TMU 262 | | | | | |
| | Set of seals | 1 | | PM 033 315 -T | | |
| 17 | USIT ring | 1 | | P 3529 133 -A | | |
| 91 | O-ring | 1 | Vi 38x3 | P 4070 621 PV | | |
| 92 | Lubricant reservoir | 1 | | PM 063 265-T | | |

Spare Parts



11. Accessories

| Description | Size | Number | Comments/ Operating Instructions | Order Quantity |
|---|--|---|--|----------------|
| Components for cooling | | | | |
| Dirt trap | R 3/8" | P 4161 300 2R | | |
| Recycled Water Cooling Unit TZK 400 | 230 V, 50 Hz | PM Z01 245 | PM 800 369 BN | |
| Air cooling | 24 V DC | PM Z01 252 | PM 800 543 BN | |
| Water cooling | | PM 016 040 -BT | PM 800 546 BN | |
| Components for venting | | | | |
| Venting Valve TVF 005, without current closed | 24 V DC | PM Z01 135 | PM 800 507 BN | |
| Drying Unit TTV 001 (filled with zeolite) | PM Z00 121 | PM 800 022 BN | | |
| Venting flange | DN 10 ISO-KF | PM 033 737 -T | | |
| Components for heating | | | | |
| Casing heating | | | Water cooling required/ PM 800 542 BN PM 800 542 BN PM 800 542 BN | |
| | 230 V, Schuko plug 208 V, UL-plug 115 V, UL-plug | PM 041 903 -T PM 041 904 -T PM 041 905 -T | | |
| Other accessories | | | | |
| Connecting cable TPS - TC 100 (without bridge) ¹⁾ | 3 m | PM 051 541 -T | Other lengths on request, The TMP starts after switching on via DCU | |
| Connecting cable TPS - TC 100 (with bridge) ¹⁾ | 3 m | PM 051 421 -T | Other lengths on request, The TMP starts when the power unit is switched on. | |
| Connection cable TPS - TC 100/DCU ¹⁾ | 3 m | PM 051 431 -T | Other lengths on request | |
| Power Unit | | | | |
| – TPS 150; for fitting to walls or standard runners | | PM 051 108 -T | PM 800 521 BN | |
| – TPS 150; 19" insert unit | | PM 051 461 -T | PM 800 521 BN | |
| – DCU 150; 19" insert unit with Operating and Display Control Unit (DCU) | | PM C01 698 | PM 800 477 BN | |
| Mains cable | | | | |
| Schuko plug | 230 V | P 4564 309 ZA | | |
| UL plug | 208 V | P 4564 309 ZF | | |
| UL plug | 115 V | P 4564 309 ZE | | |
| 15 pole D-Sub plug | | P 0998 016 | Protection class IP 54 for the TC 100 | |
| Operating and Display Control Unit DCU 001 | | PM 041 816 -T | PM 800 477 BN | |
| Pumping Station Control Unit TCS 010 | | PM 051 460 -T | PT 800 045 BN | |
| Relay box, backing pump | 5 A | PM 041 937 -AT | PT 800 030 BN | |
| Relay box, backing pump | 20 A | PM 041 938 -T | PT 800 030 BN | |
| Level Converter RS 232/485 Profibus DP gateway TIC 250 | | PM 051 054 -X PM 051 257 -T | PM 800 549 BN PM 800 599 BN | |
| Vibration compensator, TMH TMU | DN 100 ISO-K DN 100 CF-F | PM 006 459-X PM 006 488-X | | |
| Splinter shield | DN 100 | PM 006 125 AX | | |
| Protective grill | DN 100 | PM 006 596 -R | | |
| Sealing ring, TMH | DN 100 ISO-K | PF 303 110 -T | | |
| Collar flange with retaining ring, TMH | DN 100 ISO-F | PF 307 110 -T | | |
| Cu seal (10 pieces), TMU | DN 100 CF | PF 501 410 -T | | |
| Set of screws, TMU | DN 100 CF | PF 505 003 -T | | |
| Sealing gas valve | | PM Z01 142 | PM 800 229 BN | |

1) For application please refer to Section 3.13. Connection Diagram

When ordering accessories and spare parts please be sure to state the full part number. When ordering spare parts please state additionally the unit type and unit number (see rating plate). Please use this list as an order form (by taking a copy).

Declaration of Contamination of Vacuum Equipment and Components

The repair and/or service of vacuum components will only be carried out if a correctly completed declaration has been submitted. Non-completion will result in delay.

The manufacturer could refuse to accept any equipment without a declaration.

This declaration can only be completed and signed by authorised and qualified staff:

1. Description of component:

- Equipment type/model: _____
- Code No.: _____
- Serial No.: _____
- Invoice No.: _____
- Delivery Date: _____

2. Reason for return:

3. Equipment condition

- Has the equipment been used?
yes no
- What type of pump oil was used?

- Is the equipment free from potentially harmful substances?
yes (go to section 5)
no (go to section 4)

4. Process related contamination of equipment

- toxic yes no
- corrosive yes no
- microbiological hazard*) yes no
- explosive*) yes no
- radioactive*) yes no
- other harmful substances yes no

*) We will not accept delivery of any equipment that has been radioactively or microbiologically contaminated without written evidence of decontamination!

Please list all substances, gases and by-products which may have come into contact with the equipment:

| Tradename Product name Manufacturer | Chemical name (or Symbol) | Danger class | Precautions associated with substance | Action if spillage or human contact |
|---|------------------------------|--------------|--|--|
| 1. | | | | |
| 2. | | | | |
| 3. | | | | |
| 4. | | | | |
| 5. | | | | |

5. Legally Binding Declaration

I hereby declare that the information supplied on this form is complete and accurate. The despatch of equipment will be in accordance with the appropriate regulations covering Packaging, Transportation and Labelling of Dangerous Substances.

Name of Organisation: _____

Address: _____ Post code: _____

Tel.: _____

Fax: _____ Telex: _____

Name: _____

Job title: _____

Date: _____ Company stamp: _____

Legally binding signature: _____

Herstellereklärung Manufacturer's Declaration

im Sinne folgender EU-Richtlinien:
pursuant to the following EU directives:

- **Maschinen/Machinery 98/37/EG**
- **Elektromagnetische Verträglichkeit/Electromagnetic Compatibility 89/336/EWG**
- **Niederspannung/Low Voltage 73/23/EWG**

Hiermit erklären wir, daß das unten aufgeführte Produkt zum Einbau in eine Maschine bestimmt ist und daß deren Inbetriebnahme so lange untersagt ist, bis festgestellt wurde, daß das Endprodukt den Bestimmungen der EU-Richtlinie 98/37/EG, Anhang II B entspricht.

Wir bestätigen Konformität mit der EU-Richtlinie über elektromagnetische Verträglichkeit 89/336/EWG und der EU-Niederspannungsrichtlinie 73/23/EWG.

We hereby certify that the product specified below is intended for installation in a machine which is forbidden to be put into operation until such time as it has been determined that the end product is in accordance with the provision of EU Directive 98/37/EEC, Annex II B.

We certify conformity with EU Electromagnetic Compatibility Directive 89/336/EEC and EU Low Voltage Directive 73/23/EEC.

Produkt/Product:

TMH 262 / TMU 262

TMH 262 P / TMU 262 P

Angewendete Richtlinien, harmonisierte Normen und angewendete, nationale Normen:

Guidelines, harmonised standards, national standards in which have been applied:

**EN 292-1, EN 292-2, EN 294,
EN 1012-2, EN 61010**

Unterschrift/Signature:



Pfeiffer-Vacuum GmbH
Emmeliusstrasse 33
35614 Asslar
Germany

(W. Dondorf)
Geschäftsführer
Managing Director

Zentrale/Headquarters

Pfeiffer Vacuum GmbH
 Emmeliusstrasse 33
 D-35614 Asslar
 Telefon 06441/802-0
 Telefax 06441/802-202
 Hotline 06441/802-333
 Internet:
<http://www.pfeiffer-vacuum.de>

Argentina

ARO S.A., Casilla de Correo 4890,
 1000 Buenos Aires, telephone +54 / 1 331 3918,
 telefax +54 / 1 331 3572

Australia

Balzers Australia Pty. Ltd., Level 1,
 3, Northcliff Street, Milsons Point, NSW 2061,
 telephone +61 / 2 9954 1925, telefax +61 / 2 9954 1939

Austria

Pfeiffer Vacuum Austria GmbH
 Diefenbachgasse 35, A-1150 Wien,
 telephone +43 / 1 8941 704, telefax +43 / 1 8941 707
 Service Hotline: +43 / 1 8941704

Branch Office, Czech Republic

Pfeiffer Vacuum Austria GmbH, Branch Prague
 Zvonarska 885
 CZ-156 00 Praha 5
 telephone + 420/2 900 42981
 telefax + 420/2 579 23014

Belgium / Luxembourg

Pfeiffer Vacuum Belgium N.V./S.A.
 Luxemburgstraat 5, B-1940 Temse
 telephone +32 / 3 710 5920, telefax +32 / 3 710 5929
 Service Hotline: +32 / 3 710 5922

Brazil

Elmi Tec
 Assistencia Técnica e Representação S/C Ltda.
 Rua Bernadino de Compos, 551
 CEP 04620-002 São Paulo, SP - Brasil
 telephone +55 / 11 532 0740
 telefax +55 / 11 535 3598

Chile

BERMAT S.A., Coyancura 2283, piso 6
 Providencia, P.O. Box 9781, Santiago
 telephone +56 / 2 231 8877,
 telefax +56 / 2 231 4294

Colombia

Arotec Colombiana S.A., Carrera 15 No.38-17
 P.O. Box 050 862, Santafe de Bogota / D.C.
 telephone +57 / 1 288 7799, telefax +57 / 1 285 3604

Denmark

Pfeiffer Vacuum Scandinavia AB, Vesterengen 2,
 DK-2630 Taastrup,
 telephone +45 / 43 52 38 00
 telefax +45 / 43 52 38 50

France

Pfeiffer Vacuum France SAS
 45, rue Senouque, BP 139 F-78531 BUC Cedex
 telephone +33 / (0)1 30 83 04 00
 telefax +33 / (0)1 30 83 04 04

Germany

Pfeiffer Vacuum GmbH,
 Emmeliusstrasse 33, D-35614 Asslar
 telephone +49 / 6441 802 400
 telefax +49 / 6441 802 399
 Service Hotline: +49 / 6441 802 333

Great Britain

Pfeiffer Vacuum Ltd.
 2-4 Cromwell Business Centre
 Howard Way, Interchange Park
 Newport Pagnell, MK16 9QS, United Kingdom
 telephone +44 / 1 908 500615
 telefax +44 / 1 908 500616

Greece

Analytical Instruments S.A., 1 Mantzarou St.,
 GR-15451 Athens,
 telephone +30 / 1 674 8973
 telefax +30 / 1 674 8978

India

Pfeiffer Vacuum India Ltd.
 25-E Nicholson Road, Tarbund
 Secunderabad 500 009,
 telephone +91 / 40 775 0014, telefax +91 / 40 775 7774

Israel

ODEM Scientific Applications,
 2 Bergman Street, Science based park
 Rehovod
 telephone +972 8 9366 101,
 telefax +972 8 9366 102

Italy

Pfeiffer Vacuum Italia S.p.a.
 Via San Martino, 44 I-20017 RHO (Milano)
 telephone +39 / 2 93 99 051, telefax +39 / 2 93 99 05 33

Japan

Hakuto Co. Ltd., C.P.O. Box 25,
 Vacuum & Scientific Instruments Division
 Tokyo Central 100-91,
 telephone +81 / 3 32 258 910
 telefax +81 / 3 32 259 009

Korea

Pfeiffer Vacuum Korea Ltd., 3F Haein Building 453,
 Dokok-Dong, Kang Nam-Ku, Seoul, 135-270
 telephone +82 / 2 3461 0671/5
 telefax +82 / 2 3461 0676

Netherlands

Pfeiffer Vacuum Nederland BV
 Veldzigt 30a, NL-3454 PW De Meern,
 telephone +31 / 30 6666050, telefax +31 / 30 6662794

Peru

Ing. E. Brammertz s.r.l., José Pardo 182,
 Apartado 173, PE-18 Miraflores,
 telephone +51 / 1 445 8178
 telefax +51 / 1 445-1931

Poland

Softtrade Sp.z.o.o, ul. Grunwaldzka 391,
 PL-60-173 Poznan, telephone +48 / 61 8677 168,
 telefax +48 / 61 8677 111

Portugal

Unilaser Lda, Taguspark
 Núcleo Central, sala nº 268, Estrada Cacém-
 Porto Salvo, P-2780 Oeiras
 telephone +351 / 1 421 7733
 telefax +351 / 1 421 7744

Singapore

APP Systems Services Pte. Ltd, 2 Corporation Road
 06-14 Corporation Place, Singapore 618494,
 telephone +65 / 268 2024, telefax +65 / 268 6621

Spain

Tecnovac
 Tecnologia de Vacio S.L., Ronda de Poniente, 6 Bajo F
 Centro Empresarial Euronova
 E-28760 Tres Cantos (Madrid)
 telephone +34 / 91 804 11 34,
 telefax +34 / 91 804 30 91

Sweden

Pfeiffer Vacuum Scandinavia AB
 Johanneslundsvägen 3
 S-194 61 Upplands Väsby
 telephone +46 / 590 748 10
 telefax +46 / 590 748 88

Switzerland

Pfeiffer Vacuum Schweiz S.A.
 Förrlibuckstraße 30, CH-8005 Zürich
 telephone +41 / 1 444 2255,
 telefax +41 / 1 444 2266

South Africa

Labotec Pty Ltd., P.O. Box 6553,
 Halfway House
 1685 Midrand
 telephone +27 / 11 315 5434
 telefax +27 / 11 315 5882

Taiwan

HAKUTO Taiwan Ltd. Hsinchu office No. 103,
 Hsien Chen 11th Street, Jubei City,
 HsinChu County, Taiwan, R.O.C.
 (zip/postal code: 302)
 telephone +886 / 3 554 1020
 telefax +886 / 3 554 0867

Thailand

S & T Enterprises (Thailand) Ltd.
 18th Floor, Chokchai Int'l Bldg.
 690 Sukhumvit Road
 Klongton, Klongtoey
 Bangkok 10110
 telephone +662 / 259 4623
 telefax +662 / 259 6243

U.S.A.

Pfeiffer Vacuum, Inc.
 24 Trafalgar Square
 Nashua, NH 03063-1988
 USA
 telephone +1/ 603 578 6500
 telefax +1/ 603 578 6550

Venezuela

Secotec S.A., Apartado 3452, Caracas 1010-A,
 telephone +58 / 2 573 8687
 telefax +58 / 2 573 1932

Other countries

AVI - Applied Vacuum Industries GmbH
 Leginglenstrasse 17A; CH-7320 Sargans
 Switzerland
 telephone +41 / 81 710 03 80
 telefax +41 / 81 710 03 81

Scope of represented countries

Armenia, Azerbaijan, Bangladesh, Belarus, Bulgaria,
 Cambodia, Estonia, Georgia, Hong Kong, Kazakhstan,
 Kingdom of Nepal, Kirghizia, Latvia, Lithuania,
 Maldiva, Philippines, P.R. China, Rumania, Russia,
 Tajikistan, Turkmenistan, Ukraine, Uzbekistan, Vietnam

A.E.M.S.

Advanced Equipment Materials and Systems
 P.O. Box 25
 Föhrenweg 18
 FL-9496 Balzers
 telephone +41 / 75 380 0550
 telefax +41 / 75 380 0551

Scope of represented countries

Bahrain, Egypt, Iraq, Iran, Jordan, Kuwait, Lebanon,
 Lybia, Oman, Pakistan, Saudi-Arabia, Sudan, Syria,
 Turkey, United Arab Emirates, Yemen